

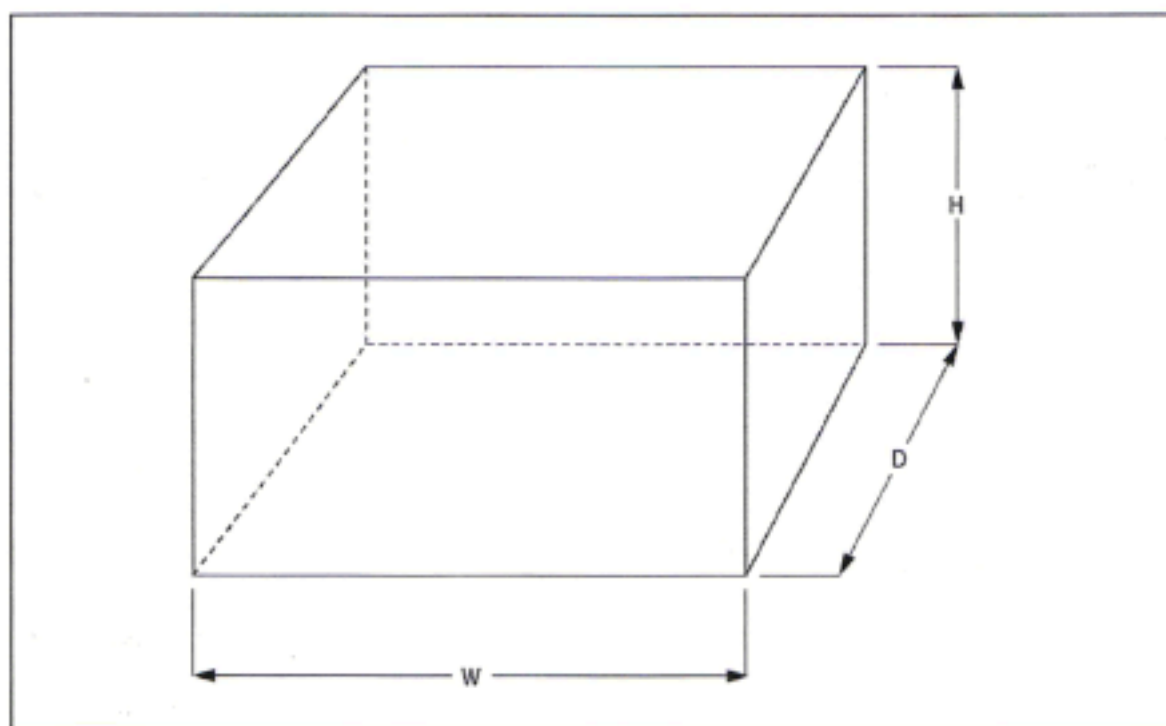
# DIMENSIONS AND WEIGHT

## Wet Gas Meters

	Width (mm)	Depth (mm)	Height (mm)	Weight (Kg)
W-NK-0.5	380	330	370	6.2
W-NK-1	380	330	370	7
W-NK-2	440	380	440	10.5
W-NK-2.5	440	380	440	10.5
W-NK-5	500	440	540	19
W-NK-10	590	510	620	37

## Dry Gas Meters

	Width (mm)	Depth (mm)	Height (mm)	Weight (Kg)	
				DC-1,2	DC-5
1 Meter Packed	300	260	360	3.6	4.6
2 Meters Packed	530	320	380	7.5	9.8



**SHAGAWA**